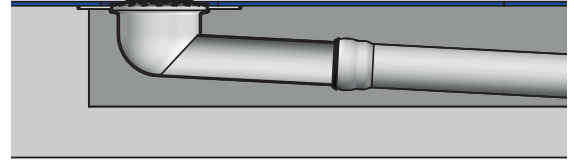


Specification sheet LX 2077

Balcony drainage system Series I, GF, horizontal runoff for upper balconies

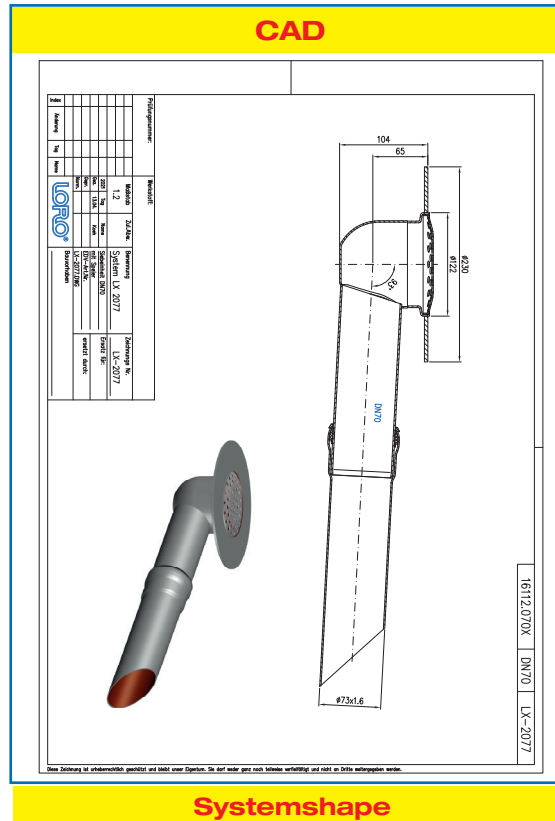
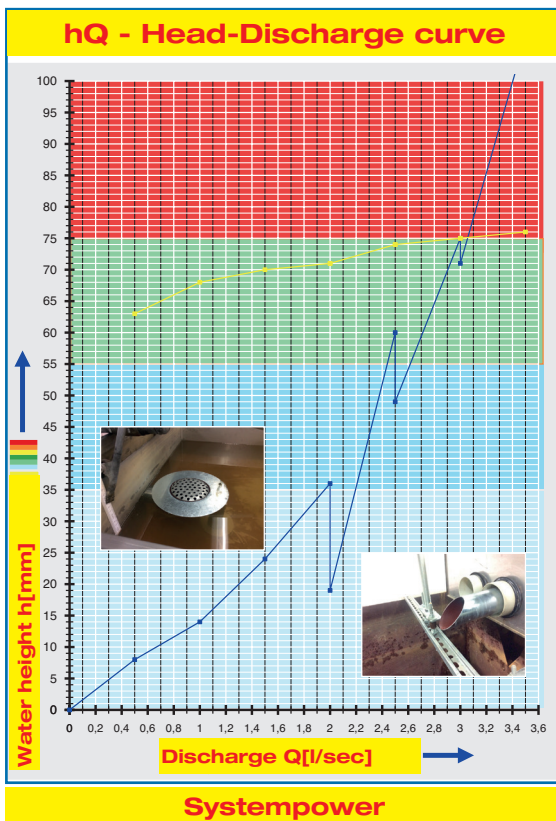
Main drainage	
Gravity flow	
Silent	
Discharge rate:	1,95 l/s
Water height:	35 mm
Roof penetration:	120 mm
Diameter:	DN 70
LX-Number:	LX 2077
Weir height:	-
Drain:	ventilated
Downpipe:	ventilated
Downpipe height:	-
Drainage:	-
Flange form:	-



LX 2077 Piece list

- 1 x Art.-Nr. 16112.070X Balcony drain with supporting edge
- 1 X Art.-No. 16191.070X, Strainer for upper balconies
- 1 x Art.-No. 01005.070X, LORO-X Pipe with one socket
- 1 x Art.-No. 00911.070X, LORO-X Sealing elements

- 1 x Art.-No. 00986.000X, LORO-X Lubricant



Water height	mm	5	10	15	20	25	30	35	40	45	50	55	60	65	70	75	80
Discharge	l/s	-	0,65	1,05	1,3	1,53	1,75	1,95	2,25	2,31	2,39	2,43	2,5	2,8	2,9	3,05	3,13
Silent																	

LORO-Balcony drainage, Series I, GF, horizontal runoff

DN 70

with strainer for upper balconies

LX2077-12X

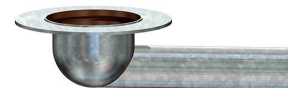
with dome,
Series I
Drain Art.-No.
for plate thickness from:
120 mm: No. 16362.070X



LX2077-12X

with supporting edge,
Series GF

Drain Art.-No. 16112.070X



Accessories

Strainer

for upper balconies

quadratic round
Art.-No. 16197.000X No. 16191.070X



Strainer support

quadratic round
Art.-No. 16190.070X Art.-No. 16195.070X



Attachment

for height adjustment
30 mm - 60 mm
Art.-No. 16192.070X



Put off casing cover

Art.-No. 18100.070X

